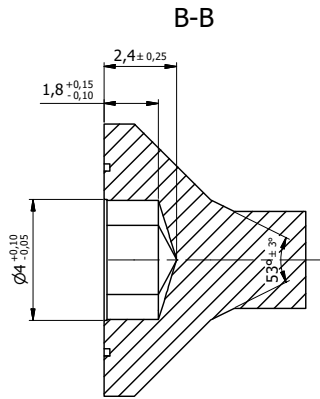
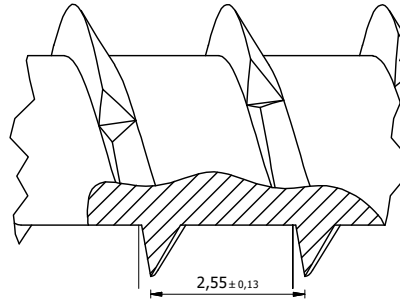


This document is the absolute property of DOMAX Sp. z o.o. This document must not be copied without the written permission of DOMAX Sp. z o.o. The contents thereof must not be disclosed to a third party nor be used for any unauthorized purpose. Contravention will be prosecuted.

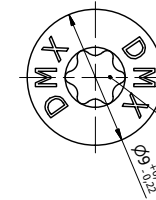
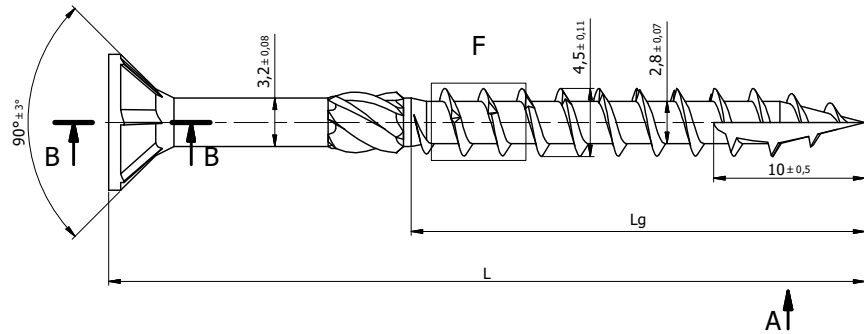
| Rev | Explanation | Date | Revised by | Approved by |
|-----|-------------|------|------------|-------------|
|     |             |      |            |             |
|     |             |      |            |             |



det.F



View A



T20 (acc. ISO 10664)



Note:  
 1. General tolerances EN 22768 mK.  
 2. Surface Fe/Zn 12c acc. EN ISO 2081

| Index   | Name     | L [mm] | Tolerance | Lg [mm] | Tolerance | Surface [cm <sup>2</sup> ] | Weight [g] |
|---------|----------|--------|-----------|---------|-----------|----------------------------|------------|
| 310203  | CS 45030 | 30     | +/-0,75   | 18      | +/-0,75   | 5,26                       | 2,28       |
| 3102035 | CS 45035 | 35     |           | 18      |           | 5,76                       | 2,6        |
| 310204  | CS 45040 | 40     | +/-1      | 24      | +/-1      | 6,56                       | 2,88       |
| 3102045 | CS 45045 | 45     |           | 30      |           | 7,36                       | 3,16       |
| 310205  | CS 45050 | 50     |           | 30      |           | 7,86                       | 3,47       |
| 310206  | CS 45060 | 60     |           | 35      |           | 9,11                       | 4,07       |
| 310207  | CS 45070 | 70     | +/-1      | 40      | +/-1      | 10,36                      | 4,67       |
| 310208  | CS 45080 | 80     |           | 40      |           | 11,36                      | 5,3        |

|                  |                |         |                |              |                            |             |     |
|------------------|----------------|---------|----------------|--------------|----------------------------|-------------|-----|
| -                | Rod            | -       | Ø3,2           | 10B21        | -                          | -           |     |
| Item             | Identification | Amt.    | Specification  | Raw material | Surface [dm <sup>2</sup> ] | Weight [kg] |     |
| Design           | K. Rytlewski   | Checked | W. Balsewicz   | Approved     | Code                       | CS-F        |     |
| Drawn            | K. Rytlewski   |         |                |              |                            | Sheet       | 1/1 |
| Index            | 12.05.2016     | Date    |                |              |                            |             | Rev |
|                  |                |         | Screw CS-F 4,5 |              |                            |             |     |
| DOMAX Sp. z o.o. |                |         | CS-F 4,5       |              |                            |             |     |